

HT-10EN-CIM/ HT-10EN-CIA-FS SUBMERSIBLE EFFLUENT PUMP

EN INTRODUCTION

This instruction sheet provides you with the information required to safely own and operate your product. Retain these instructions for future reference.

The product you have purchased is of the highest quality workmanship and material, and has been engineered to give you long and reliable service. This product has been carefully tested, inspected, and packaged to ensure safe delivery and operation. Please examine your item(s) carefully to ensure that no damage occurred during shipment. If damage has occurred, please contact the place of purchase. They will assist you in replacement or repair, if required.

READ THESE INSTRUCTIONS CAREFULLY BEFORE ATTEMPTING TO INSTALL, OPERATE, OR SERVICE YOUR PRODUCT. KNOW THE PRODUCT'S APPLICATION, LIMITATIONS, AND POTENTIAL HAZARDS. PROTECT YOURSELF AND OTHERS BY OBSERVING ALL SAFETY INFORMATION. FAILURE TO COMPLY WITH THESE INSTRUCTIONS COULD RESULT IN PERSONAL INJURY AND/OR PROPERTY DAMAGE!

DESCRIPTION

This is a submersible effluent pump for use in basins or lift stations, and is suitable for pumping effluent, wastewater, and other non-explosive, non-corrosive liquids with up to 3/4" spherical solids and temperatures up to 200°F.

SAFETY GUIDELINES



CAUTION: INTENDED FOR COMMERCIAL AND INDUSTRIAL USE ONLY. READ SAFETY GUIDELINES AND INSTRUCTIONS CAREFULLY.

1. Do not use to pump flammable or explosive fluids such as gasoline, fuel oil, kerosene, etc. Do not use in explosive atmospheres or hazardous locations as classified by NEC, ANSI/NFPA. Pump should only be used with liquids compatible with pump component materials.
2. Do not handle pump with wet hands or when standing on a wet or damp surface, or in water.
3. Do not pull the pump out of the water by the power cord when the pump is operating or connected to power source.
4. This pump is supplied with a grounding conductor and/or grounding type attachment plug. To reduce the risk of electric shock, be certain that it is connected to a properly grounded grounding type receptacle.
5. The National Electric Code requires a ground fault circuit interrupter (GFCI) be installed in the branch circuit supplying fountain equipment, pools, etc.
6. In any installations where property damage and/or personal injury might result from an inoperative or leaking pump due to power outages, discharge line blockage, or any other reason, a backup system(s) and/or alarm should be used.
7. Support pump and piping when assembling and when installed, failure to do so may cause piping to break, pump to fail, motor bearing failures, etc.
8. This pump's motor housing is filled with a dielectric oil for motor heat transfer and life-time lubrication of the bearings. This oil is non-toxic to aquatic life, however, suffocation can occur if oil is left on the water surface. If oil escapes the motor housing, it can be removed from the surface quickly by placing newspapers on the water surface to soak up the oil.

9. The pump motor is equipped with an automatic resetting thermal protector and may restart unexpectedly. Protector tripping is an indication of motor overloading as a result of excessively high or low voltage, inadequate wiring, incorrect motor connections, or a defective motor or pump.

ELECTRICAL CONNECTIONS



1. Check the pump label for proper voltage required. Do not connect to voltage other than that shown.
2. If pump is supplied with a 3-prong electrical plug, the third prong is to ground the pump to prevent possible electrical shock hazard. **DO NOT REMOVE** the third prong from the plug. A separate branch circuit is recommended. Do not use an extension cord.
3. If the cord is equipped with stripped lead wires, such as on 230V models, be sure that the lead wires are connected to a power source correctly. The green/yellow wire is the ground, the other two are live.
4. Check local electrical and building codes before installation. The installation must be in accordance with their regulations as well as the most recent National Electrical Code (NEC).
5. To conform to the National Electrical Code, all pumps must be wired with 14 AWG or larger wire. For runs to 250 feet, 14 AWG wire is sufficient. For longer runs, consult a qualified electrician or the factory.
6. Pump should be connected or wired to its own circuit with no other outlets or equipment in the circuit line. Fuses and circuit breaker should be of ample capacity in the electrical circuit.
7. The flexible PVC jacketed cord assembly mounted to the pump must not be modified in any way, with the exception of shortening the cord to fit into a control panel. Any splice between the pump and the control panel must be made within a junction box and mounted outside of the basin and comply with the National Electrical Code.

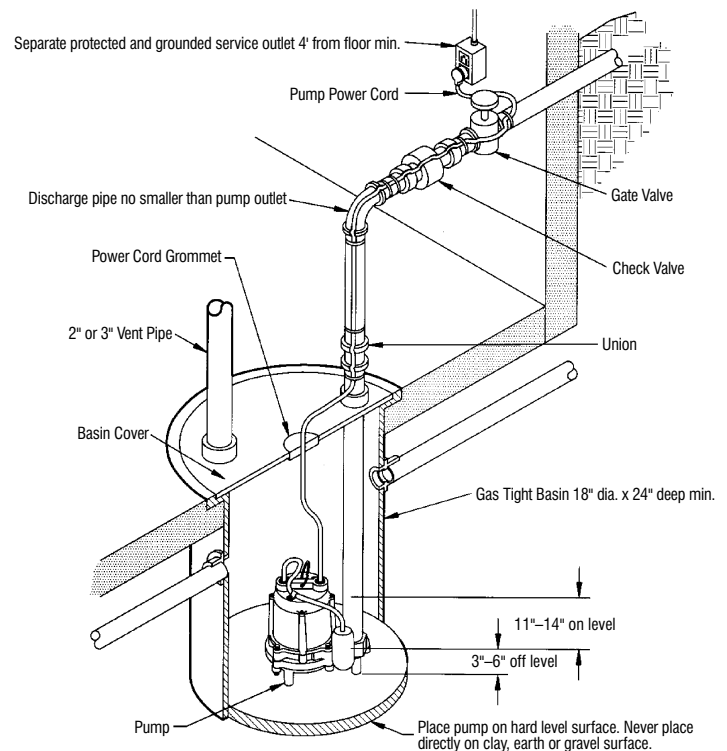


Figure 1

OPERATION



1. Pump should be installed in a suitable basin which is at least 18" in diameter and 24" deep, in accordance with local plumbing codes.
2. When a pump is in a basin, etc. do not touch motor, pipes or water until unit is unplugged. If your installation has water or moisture present, do not touch wet area until all power has been turned off.
3. Pump features a 1-1/2" female NPT discharge.
4. Pump must be placed on a hard level surface. Never place pump directly on clay, earth or gravel surfaces.
5. A check valve must be used in the discharge line to prevent back flow of liquid into the basin. The check valve should be a free flow valve that will easily pass solids.

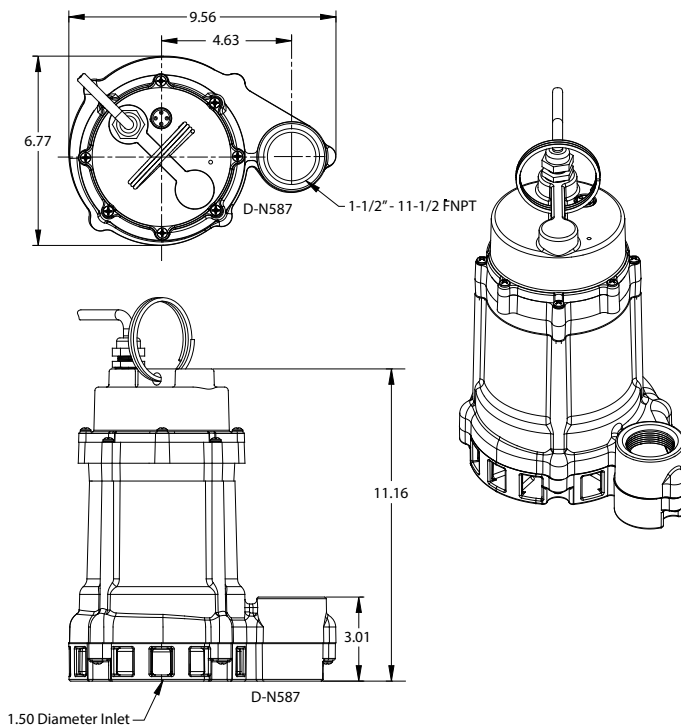
CAUTION: For best performance of check valves, when handling solids install in a horizontal position or at an angle of no more than 45 degrees. Do not install check valve in a vertical position as solids may settle in valve and prevent opening on start-up.

When check valve is used, drill a 3/16" hole in discharge pipe approximately 1" to 2" above the pump discharge and below the check valve to prevent air locking of the pump.

6. Do not attempt to restrict the intake side of these pumps. Restricting the intake may cause damage to the seal and may starve the pump. If you require reduced flow rates, then place a valve on the discharge side of the pump or if flexible vinyl tubing is used, a clamp can be used on the tubing to restrict the flow.
7. Do not let the unit operate dry. It is designed to be cooled by pumping fluid. You may damage the seal and the motor may fail if the pump is allowed to run dry.
8. If the unit is going to be idle for a period of time, follow the cleaning instructions outlined in the next section. Do not let the unit freeze in the wintertime. This may cause cracking or distortion that may destroy the unit.

TESTING PUMP OPERATION

NOTE: BE CERTAIN PUMP IS SECURE IN BASIN AND FLOAT MOVES UNOBSTRUCTED WITHOUT TOUCHING THE BASIN WALLS OR PLUMBING.



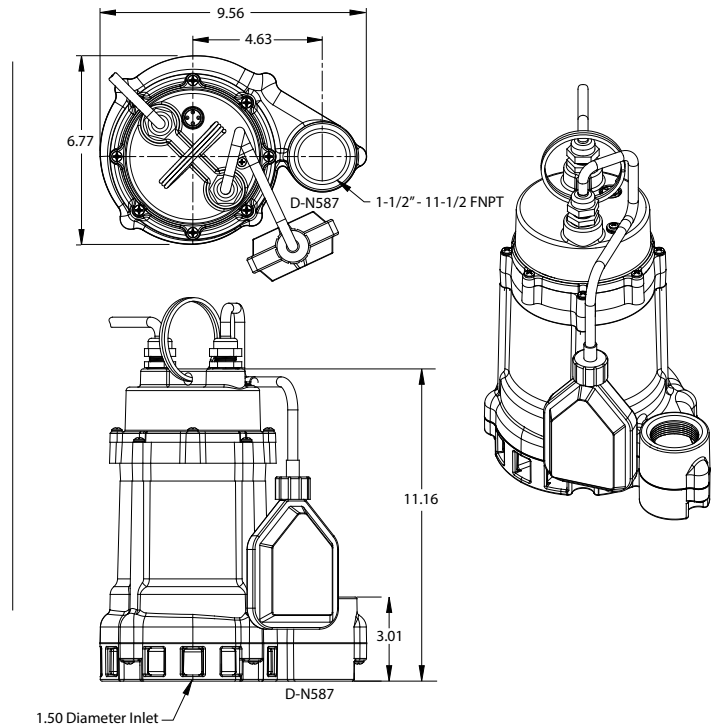
1. These pumps are equipped with a float operated switch. When these pumps are installed in a basin with a sealed cover, switch operation cannot be observed. The sump cover usually will have a spare hole that is plugged with a rubber plug. This plug can be removed and switch operation can be observed.
2. Plug power cord into a grounded receptacle with voltage consistent with pump voltage as indicated on pump nameplate.
3. Run water into basin until pump starts.
4. Be sure gate valve in discharge line is open.
5. Allow pump to operate through several on-off cycles.
6. If pump does not operate properly, consult the Troubleshooting table. If trouble cannot be located with these steps shown, consult your pump dealer or take pump to a Little Giant authorized service center.

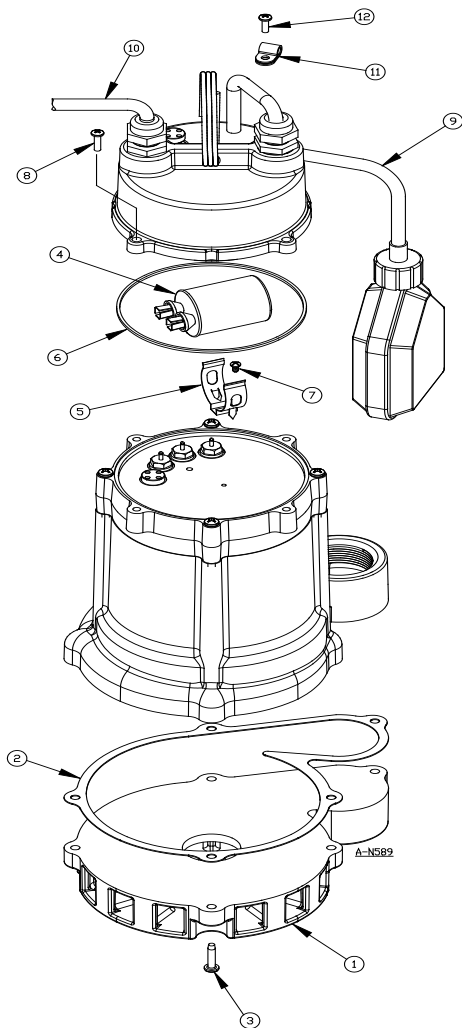
MAINTENANCE



WARNING: DISCONNECT THE PUMP FROM THE POWER SOURCE BEFORE ATTEMPTING TO SERVICE OR REMOVE ANY COMPONENT!

1. This unit is permanently lubricated. Oiling is not required. Do not, in any case, open the sealed portion of the unit or remove housing screws.
2. Periodic cleaning of the pump parts will prolong the LIFE and EFFICIENCY of the pump.
3. Remove screws that hold base to volute and clean impeller and volute passage. Do not use strong solvents on impeller.
4. Be sure impeller turns freely after cleaning.
5. **CAUTION: DO NOT REMOVE IMPELLER. THIS REQUIRES SPECIAL TOOLS AND IS TO BE DONE ONLY BY AN AUTHORIZED SERVICE CENTER. DO NOT REMOVE MOTOR HOUSING COVER. WARRANTY IS VOID IF MOTOR HOUSING COVER, IMPELLER OR SEALS HAVE BEEN REMOVED. ANY REPAIR ON MOTOR MUST BE DONE BY AN AUTHORIZED LITTLE GIANT SERVICE CENTER.**
6. Be certain power cord is in good condition and contains no nicks or cuts.





REPLACEMENT PARTS LIST				
ITEM NO.	PART NO.	DESCRIPTION	CATALOG NO./ MODEL NO.	
			511610 HT-10EN-CIM	511710 HT-10EN-CIA-FS
1	109440202	Screen Base	•	•
2	109460	Gasket, Screen Base	•	•
3	909023	Screw/Washer, 10-24 x 7/8"	5	5
4	950481	Capacitor, 10MFD, 370V	•	•
5	950482	Capacitor Bracket	•	•
6	928008	Seal Ring, 4.718 ID x .078 Wall	•	•
7	901203	Screw, Machine, #6-32 x 1/4"	•	•
8	909022	Screw/Washer, 10-24 x 5/8"	4	4
9	950227	Switch Assy, Non Mercury, Automatic		•
10	951660	Wire Harness Assy, Automatic		•
10	951661	Wire Harness Assy, Manual	•	
11	927427	Loop Clamp, Black		•
12	901424	Screw, Machine, #8-32 x 1/2"	•	•
13**	951798	Lead Wire Assembly, White	•	•
14**	951799	Lead Wire Assembly, Red	•	•
15**	950502	Capacitor Insulating Boot	•	•
16**	950400	Closed End Connector		•

** Items not shown

TROUBLESHOOTING

PROBLEM	PROBABLE CAUSES	CORRECTIVE ACTION
Pump does not turn on.	Pump not plugged in.	Plug in pump.
	Circuit breaker shut off or fuse removed.	Turn on circuit breaker or replace fuse.
	Accumulation of trash on float.	Clean float.
	Float obstruction.	Check float path and provide clearance.
	Defective switch.	Have pump serviced by authorized service center.
	Defective motor.	Have pump serviced by authorized service center.
Pump will not shut off.	Float or float rod obstruction.	Check float and float rod path and provide clearance.
	Pump is air locked.	Shut power off for approximately 1 minute, then restart. Repeat several times to clear air from pump.
	Liquid inflow matches pump capacity.	Larger pump required.
	Defective switch.	Disconnect switch, check w/ohmmeter, Open-infinite resistance, closed-zero.
Pump runs but does not discharge liquid.	Check valve installed backwards.	Check flow indicating arrow on check valve body to ensure it is installed properly.
	Check valve stuck or plugged.	Remove check valve and inspect for proper operation.
	Lift too high for pump.	Check rating table.
	Inlet to impeller plugged.	Pull pump and clean.
	Pump is air locked.	(See corrective action above.)
Pump does not deliver rated capacity.	Lift too high for pump.	Check rated pump performance.
	Low voltage, speed too slow.	Check for proper supply voltage to make certain it corresponds to nameplate voltage.
	Impeller or discharge pipe is clogged.	Pull pump and clean. Check pipe for scale or corrosion.
	Impeller wear due to abrasives.	Replace worn impeller.
Pump cycles continually.	No check valve in long discharge pipe allowing liquid to drain back into basin.	Install a check valve in discharge line.
	Check valve leaking.	Inspect check valve for correct operation.
	Basin too small for inflow.	Install larger basin.

LIMITED WARRANTY

THIS WARRANTY SETS FORTH THE COMPANY'S SOLE OBLIGATION AND PURCHASER'S EXCLUSIVE REMEDY FOR DEFECTIVE PRODUCT.

Franklin Electric Company, Inc. and its subsidiaries (hereafter "the Company") warrants that the products accompanied by this warranty are free from defects in materials or workmanship of the Company that exist at the time of sale by the Company and which occur or exist within the applicable warranty period. Any distributor, sub-distributor, recipient, end-user and/or consumer agrees that by accepting the receipt of the products, the distributor, sub-distributor, recipient, end user and/or consumer expressly agrees to be bound by the terms of the warranty set forth herein.

I. Applicable Warranty Period

The products accompanied by this warranty shall be covered by this Limited Warranty for a period of 24 months from the date of original purchase by the consumer. In the absence of suitable proof of purchase date, the warranty period of this product will begin to run on the product's date of manufacture.

II. Instructions Applicable to this Limited Warranty

1. Consumers wishing to submit a warranty claim must return the products accompanied by this warranty to the point of purchase for warranty consideration.
2. Upon discovery of a defect, any personal injury, property damage or any other type of resulting damage, if applicable, shall be reasonably mitigated to the extent possible.
3. At its discretion, the Company may inspect products either at its facilities or in the field, and after determination of a warranty claim, will, at its option, repair or replace defective parts. Repaired or replaced parts will be returned freight prepaid by the Company.
4. This warranty policy does not cover any labor or shipping charges. The Company shall not be liable for any costs or charges attributable to any product testing, maintenance, installation, repair or removal, or for any tools, supplies, or equipment needed to install, repair, or remove any product.

III. Limitations Applicable to this Limited Warranty

THIS WARRANTY DOES NOT APPLY TO ANY OF THE FOLLOWING:

1. Brushes, impeller or cam on models with brush-type motors and/or flex-vane impellers.
2. Any product that is not installed, applied, maintained and used in accordance with the Company's published instructions, applicable codes, applicable ordinances and/or with generally accepted industry standards.
3. Any product that has been subject to misuse, misapplication, neglect, alteration, accident, abuse, tampering, acts of God (including lightning), acts of terrorism, acts of war, fire, improper storage or installation, improper use, improper maintenance or repair, damage or casualty, or to an excess of the recommended maximums as set forth in the product instructions.
4. Any product that is operated with any accessory, equipment, component, or part not specifically approved by the Company.
5. Use of replacement parts not sold by the Company, the unauthorized addition of non-Company products to other Company products, and the unauthorized alteration of Company products.
6. Products damaged by normal wear and tear, normal maintenance services and the parts used in connection with such service, or any other conditions beyond the control of the Company.
7. Any product that has been used for purposes other than those for which it was designed and manufactured.
8. Any use of the product where installation instructions and/or instructions for use were not followed.
9. Products connected to voltage other than indicated on nameplate.
10. Products where the pump was exposed to any of the following: sand, gravel,

cement, grease, plaster, mud, tar, hydrocarbons, hydrocarbon derivatives (oil, gasoline, solvents, etc.) or other abrasive or corrosive substances.

11. Products in which the pump has been used for pumping of liquids above 140°F.
12. Products in which the pump was allowed to operate dry (fluid supply cut off).
13. Products in which the sealed motor housing has been opened or the product has been otherwise dismantled by customer.
14. Products in which the cord has been cut to a length of less than three feet.

The Company reserves the right at any time, and from time to time, to make changes in the design and/or improvements upon its product without thereby imposing any obligation upon itself to make corresponding changes or improvements in or upon its products already manufactured and/or previously sold. The Company further reserves the right to substitute parts or components of substantially equal quality in any warranty service required by operation of this Limited Warranty.

This written Limited Warranty is the entire warranty authorized and offered by the Company. There are no warranties or representations beyond those expressed in this document.

THIS WARRANTY AND REMEDY IS IN LIEU OF ALL OTHER WARRANTIES AND REMEDIES INCLUDING WITHOUT LIMITATION, WARRANTIES OF MERCHANTABILITY AND/OR FITNESS FOR A PARTICULAR PURPOSE, WHICH ARE HEREBY SPECIFICALLY DISCLAIMED AND EXPRESSLY EXCLUDED. CORRECTION OF NON-CONFORMITIES, IN THE MANNER AND FOR THE PERIOD OF TIME AS SET FORTH ABOVE, SHALL CONSTITUTE FULFILLMENT OF ALL LIABILITY OF THE COMPANY TO THE PURCHASER WHETHER BASED ON CONTRACT, NEGLIGENCE, OR OTHERWISE.

THE COMPANY SHALL NOT BE LIABLE FOR INCIDENTAL, CONSEQUENTIAL OR SPECIAL DAMAGES SUCH AS, BUT NOT LIMITED TO:

DAMAGE TO OR LOSS OF OTHER PROPERTY OR EQUIPMENT, LOSS OF USE OF EQUIPMENT, FACILITIES OR SERVICE, LOSS OF PROFIT OR SALES, COST OF PURCHASES OR REPLACEMENT GOODS, CLAIMS OF CUSTOMERS OF THE PURCHASER, FAILURE TO WARN AND/OR INSTRUCT, LOSS OF OTHER PRODUCTS, OR COSTS OF ENVIRONMENTAL REMEDIATION, OR DIMINUTION IN PROPERTY VALUE. THE REMEDIES OF THE PURCHASER SET FORTH HEREIN ARE EXCLUSIVE, AND THE LIABILITY OF THE COMPANY SHALL NOT, EXCEPT AS EXPRESSLY PROVIDED HEREIN, EXCEED THE PRICE OF THE PRODUCTS UPON WHICH SUCH LIABILITY IS BASED. DAMAGES AS SET FORTH IN THIS PARAGRAPH SHALL BE REASONABLY MITIGATED TO THE EXTENT POSSIBLE. THIS PARAGRAPH SHALL ALSO APPLY TO ALL DAMAGES RESULTING FROM CONDITIONS SET FORTH IN SECTION III ABOVE AND (1) DEFECTS IN PRODUCT PROTOTYPES OR REPLACEMENT PART PROTOTYPES THAT HAVE NOT BEEN PUT INTO PRODUCTION, CIRCULATED AND SOLD BY THE COMPANY, AND/OR (2) DEFECTS THAT WERE NOT FOUND AT THE TIME OF SALE DUE TO SCIENTIFIC AND TECHNOLOGICAL REASONS.

This Limited Warranty gives you specific legal rights. You may have other rights, which vary according to the applicable laws and regulations. Where any term of this warranty is prohibited by such laws, it shall be null and void, but the remainder of this warranty shall remain in full force and effect.

DISCLAIMER: Any oral statements about the product made by the seller, the Company, the representatives or any other parties, do not constitute warranties, shall not be relied upon by the user, and are not part of the contract for sale. Seller's and the Company's only obligation, and buyer's only remedy, shall be the replacement and/or repair by the Company of the product as described above. Before using, the user shall determine the suitability of the product for his intended use, and user assumes all risk and liability whatsoever in connection therewith.

For technical assistance, please contact 800.701.7894

CustomerService@lgpc.com
www.franklinwater.com

FR INTRODUCTION

Ce feuillet d'instructions vous fournit l'information requise pour utiliser votre produit de manière sécuritaire. Conservez ces instructions pour référence ultérieure.

Le produit que vous avez acheté utilise des matériaux et provient d'une main-d'œuvre de la plus haute qualité. Il a été conçu pour vous fournir un service durable et fiable. Ce produit a été soigneusement testé, inspecté et emballé pour en assurer la livraison et le fonctionnement sécuritaires. Veuillez examiner votre ou vos articles soigneusement, afin de vous assurer qu'aucun dommage ne s'est produit pendant l'expédition. Dans le cas contraire, veuillez communiquer avec le vendeur. Il vous aidera à obtenir un remplacement ou une réparation, le cas échéant.

LISEZ SOIGNEUSEMENT CES INSTRUCTIONS AVANT DE TENTER D'INSTALLER, D'UTILISER OU D'EFFECTUER L'ENTRETIEN DE VOTRE PRODUIT. SOYEZ CONSCIENT DE L'APPLICATION, DES LIMITES ET DES RISQUES POTENTIELS DU PRODUIT. PROTÉGEZ-VOUS ET LES AUTRES PERSONNES EN RESPECTANT TOUTES LES DIRECTIVES DE SÛRETÉ. LE NON-RESPECT DE CES INSTRUCTIONS POURRAIT ENTRAÎNER DES BLESSURES OU DES DOMMAGES MATÉRIELS!

DESCRIPTION

Il s'agit d'une pompe submersible à effluent pour utilisation dans les bassins ou les stations de relèvement, appropriée pour pomper des effluents, des eaux usées et d'autres liquides non explosifs et non corrosifs pouvant comporter des solides sphériques d'au plus 3/4 po (19,1 mm) à des températures allant jusqu'à 200 °F (93 °C).

DIRECTIVES DE SÉCURITÉ



ATTENTION : DESTINÉ À UNE UTILISATION COMMERCIALE OU INDUSTRIELLE SEULEMENT. LISEZ SOIGNEUSEMENT LES DIRECTIVES DE SÉCURITÉ ET LES INSTRUCTIONS.

1. Ne pas utiliser pour pomper des fluides inflammables ou explosifs, comme de l'essence, du mazout, du kérosène, etc. Ne pas utiliser dans des atmosphères explosives ou des emplacements dangereux, catégorisés comme tels par NEC, ANSI/NFPA. La pompe ne doit être utilisée qu'avec des liquides qui sont compatibles avec les matériaux des composants de la pompe.
2. Ne pas manipuler la pompe avec les mains mouillées ou en se tenant sur une surface mouillée ou humide, ou dans l'eau.
3. Ne pas tirer la pompe hors de l'eau par son cordon d'alimentation pendant que la pompe fonctionne ou est branchée à sa source d'alimentation.
4. Cette pompe est fournie avec une fiche munie d'un conducteur de mise à la terre ou d'une attache de mise à la terre. Pour réduire les risques de décharges électriques, s'assurer qu'elle est branchée à une prise électrique correctement mise à la terre.
5. Le Code national de l'électricité exige qu'un disjoncteur de fuite de terre (GFCI/DDFT) soit installé dans le circuit de dérivation qui alimente l'équipement de fontaine, de piscines, etc.
6. Dans toutes les installations où des blessures ou des dommages matériels peuvent être provoqués par une pompe inopérante ou qui fuit (à cause d'une panne d'électricité, une obstruction du conduit de refoulement ou toute autre raison), un ou des systèmes de secours ou d'alarme doivent être utilisés.
7. Soutenir la pompe et la tuyauterie pendant l'assemblage et une fois l'installation terminée; à défaut de quoi, la tuyauterie pourrait se rompre, la pompe ou un palier de moteur pourraient défaillir, etc.
8. Le boîtier du moteur de cette pompe est rempli d'une huile diélectrique pour le transfert de chaleur du moteur et la lubrification des paliers pendant toute leur durée de vie. Cette huile est non toxique pour la vie aquatique; cependant, la suffocation peut se produire si l'huile est laissée à la surface de l'eau. Si de l'huile s'échappe du boîtier du moteur, elle peut être retirée rapidement de la surface en plaçant des journaux sur la surface de l'eau afin d'absorber l'huile.

9. Le moteur de la pompe est muni d'un protecteur thermique à réinitialisation automatique et peut redémarrer subitement. Le déclenchement du protecteur est une indication d'une surcharge du moteur en raison d'une tension trop élevée ou trop faible, d'un câblage inadéquat, de connexions incorrectes du moteur ou d'un défaut de la pompe ou du moteur.

CONNEXIONS ÉLECTRIQUES



1. Vérifier l'étiquette de la pompe pour la tension appropriée requise. Ne pas brancher à une tension autre que celle indiquée.
2. Si la pompe est livrée avec une fiche électrique à trois branches, la troisième branche sert à la mise à la terre de la pompe pour prévenir tout risque possible de décharge électrique. **NE PAS RETIRER** la troisième branche de la fiche. Un circuit de dérivation séparé est recommandé. Ne pas utiliser un cordon de rallonge.
3. Si le cordon est muni de fils dénudés, comme sur les modèles 230 V, s'assurer que les fils sont branchés correctement à une source d'alimentation. Le fil vert/jaune est la mise à la terre; les deux autres sont sous tension.
4. Avant l'installation, vérifier les codes locaux de l'électricité et du bâtiment. L'installation doit respecter leur réglementation, de même que le plus récent Code national de l'électricité (CNE).
5. Pour être conformes au Code national de l'électricité, toutes les pompes doivent être câblées avec du fil de calibre 14 AWG ou plus gros. Pour des longueurs allant jusqu'à 250 pi (76 m), du fil de calibre 14 AWG est suffisant. Pour des chemins plus longs, consulter un électricien qualifié ou l'usine.
6. La pompe doit être connectée ou branchée sur son propre circuit, sans autre prise ou équipement sur la ligne du circuit. Les fusibles et les disjoncteurs doivent être d'une capacité suffisante dans le circuit électrique.
7. L'assemblage de cordon à gaine en PVC flexible qui est fixé à la pompe ne doit pas être modifié d'une quelconque façon, sauf pour raccourcir le cordon afin de l'adapter à un panneau de commande. Toute épissure entre la pompe et le panneau de commande doit être effectuée dans une boîte de connexion fixée à l'extérieur du bassin, conformément au Code national de l'électricité.

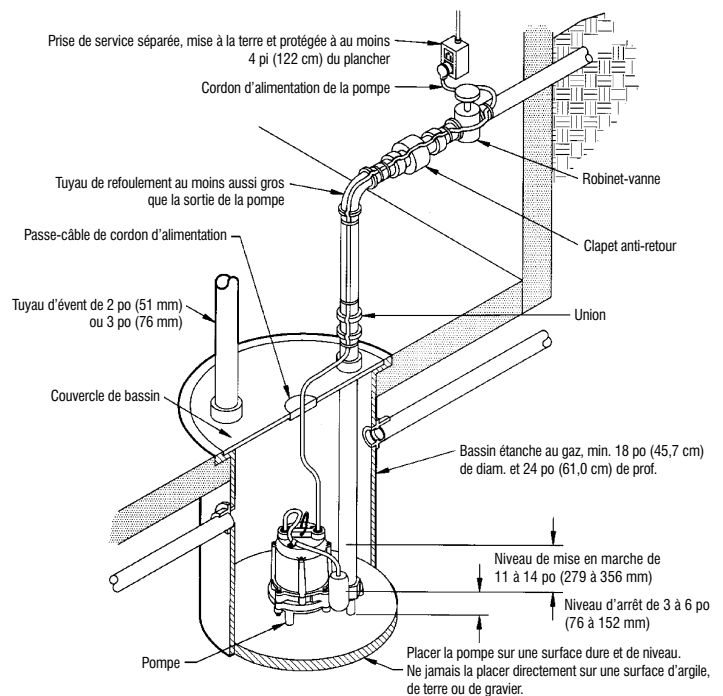


Figure 1

FUNCTIONNEMENT



1. La pompe doit être installée dans un bassin approprié d'au moins 18 po (457 mm) de diamètre et 24 po (610 mm) de profondeur, conformément aux codes locaux de plomberie.
2. Lorsque la pompe est dans un bassin, etc., ne pas toucher le moteur, les tuyaux ou l'eau jusqu'à ce que l'unité soit débranchée. Si l'installation comporte de l'eau ou de l'humidité, ne pas toucher une zone mouillée jusqu'à ce que toute l'alimentation ait été coupée.
3. La pompe comporte un refoulement à filetage NPT femelle de 1½ po (38 mm).
4. La pompe doit être placée sur une surface dure et de niveau. Ne jamais placer la pompe directement sur une surface d'argile, de terre ou de gravier.
5. Un clapet anti-retour doit être utilisé dans le conduit de refoulement, pour empêcher un débit de retour du liquide dans le bassin. Le clapet anti-retour doit être une vanne à débit direct qui laisse facilement passer les solides.

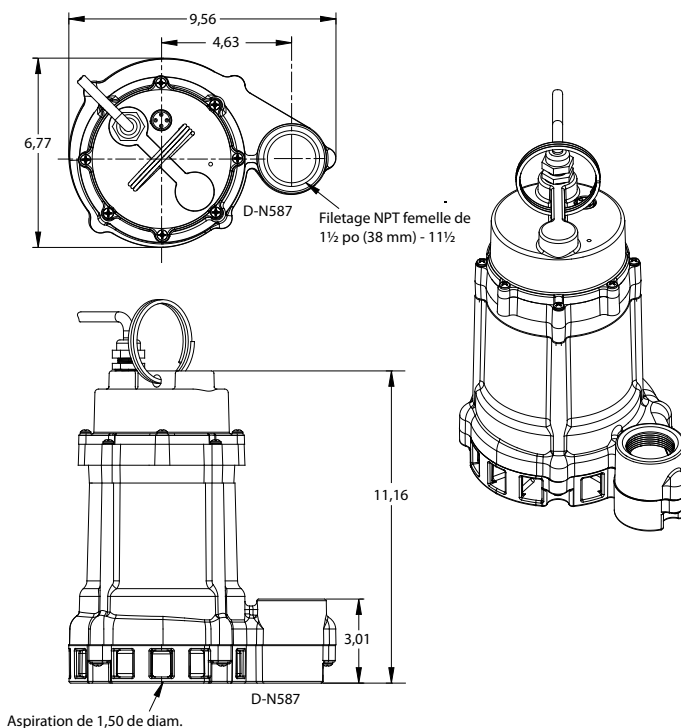
ATTENTION : Pour un rendement optimal des clapets anti-retour, installer dans une position horizontale ou à un angle d'au plus 45° pour la manipulation de solides. Ne pas installer le clapet anti-retour en position verticale, car des solides peuvent se déposer dans le clapet et empêcher son ouverture au moment du démarrage.

Lorsqu'un clapet anti-retour est utilisé, percer un trou de 3/16 po (4,8 mm) dans le tuyau de refoulement, à environ 1 à 2 po (25 à 51 mm) au-dessus du refoulement de la pompe et sous le clapet anti-retour, afin de prévenir le blocage de la pompe par l'air.

6. Ne pas tenter de restreindre le côté prise de ces pompes. La restriction de la prise peut endommager le joint d'étanchéité et sous-alimenter la pompe. Si des débits réduits sont nécessaires, placer une vanne sur le côté refoulement de la pompe; si un tuyau flexible en vinyle est utilisé, une bride peut être placée sur le tuyau pour restreindre le débit.
7. Ne pas laisser l'unité fonctionner à vide. Elle est conçue pour être refroidie par le fluide pompé. Vous pouvez endommager le joint d'étanchéité et faire défaillir le moteur si la pompe fonctionne à vide.
8. Si l'unité doit être laissée inutilisée pendant une certaine période, suivre les instructions de nettoyage présentées dans la prochaine section. Ne pas laisser l'unité geler pendant l'hiver. Cela peut causer des fissures ou des distorsions qui peuvent détruire l'unité.

TEST DE FONCTIONNEMENT DE LA POMPE

REMARQUE : S'ASSURER QUE LA POMPE EST BIEN FIXÉE DANS LE BASSIN ET QUE LE FLOTTEUR SE DÉPLACE SANS RESTRICTION ET SANS TOUCHER LES PAROIS DU BASSIN OU LA PLOMBERIE.



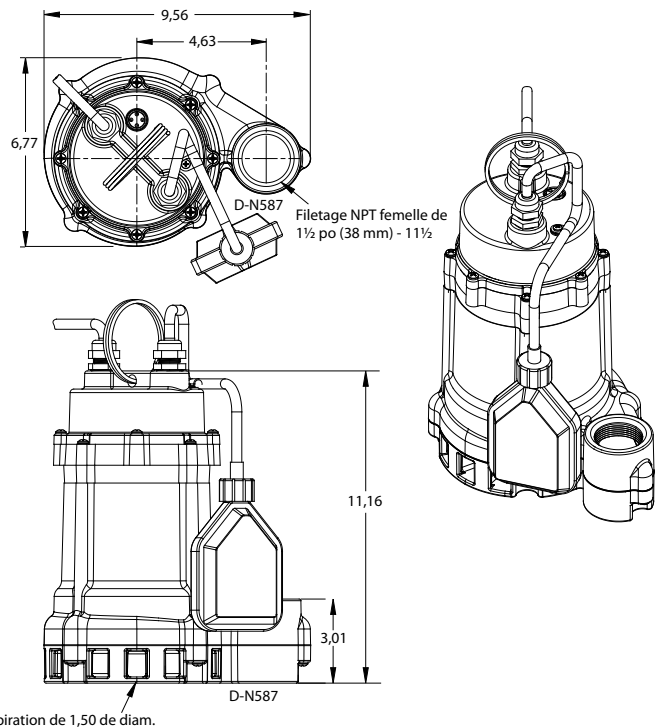
1. Ces pompes sont munies d'un interrupteur à flotteur. Lorsque ces pompes sont installées dans un bassin avec un couvercle scellé, le fonctionnement de l'interrupteur ne peut pas être observé. Le couvercle de puisard comporte habituellement un trou de recharge qui peut être bouché avec un bouchon en caoutchouc. Ce bouchon peut être retiré pour observer le fonctionnement de l'interrupteur.
2. Brancher le cordon d'alimentation dans une prise mise à la terre, dont la tension est cohérente avec la tension de la pompe indiquée sur la plaque signalétique de celle-ci.
3. Faire couler de l'eau dans le bassin jusqu'à ce que la pompe démarre.
4. S'assurer que le robinet-vanne du conduit de refoulement est ouvert.
5. Laisser la pompe fonctionner pendant plusieurs cycles de marche/arrêt.
6. Si la pompe ne fonctionne pas correctement, consulter le tableau de dépannage. Si le problème ne peut pas être repéré au moyen des étapes indiquées, consulter le vendeur de pompe ou apporter la pompe à un centre de service autorisé Little Giant.

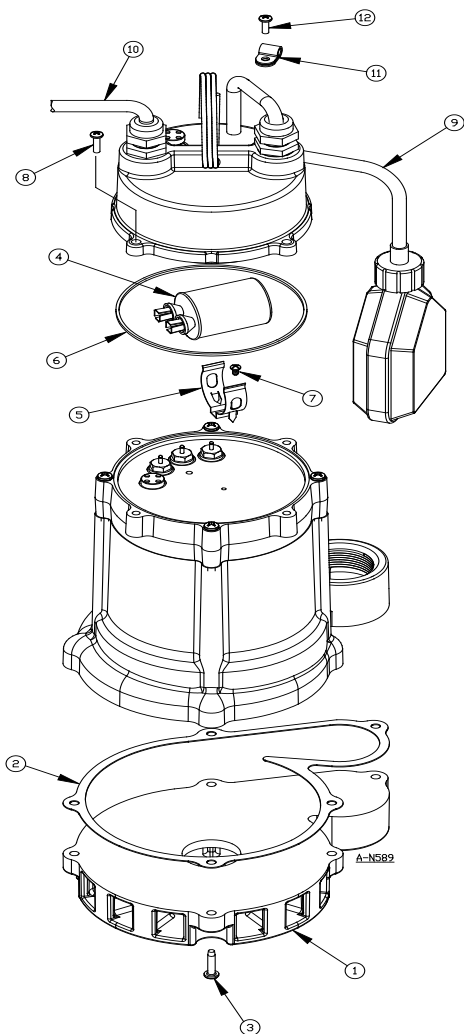
MAINTENANCE



AVERTISSEMENT : DÉBRANCHER LA POMPE DE LA SOURCE D'ALIMENTATION AVANT D'EFFECTUER L'ENTRETIEN OU DE RETIRER UN COMPOSANT QUELCONQUE!

1. Cette unité est lubrifiée de manière permanente. Il n'est pas nécessaire de huiler l'unité. N'ouvrir en aucun cas la portion scellée de l'unité et ne jamais retirer les vis du boîtier.
2. Le nettoyage périodique des composants de la pompe prolongera la DURÉE DE VIE et l'EFFICACITÉ de la pompe.
3. Retirer les vis qui fixent la base à la volute et nettoyer la turbine et le passage de la volute. Ne pas utiliser de solvants forts sur la turbine.
4. S'assurer que la turbine tourne librement après le nettoyage.
5. **ATTENTION :** NE PAS RETIRER LA TURBINE. CELA EXIGE DES OUTILS SPÉCIAUX ET NE DOIT ÊTRE EFFECTUÉ QUE PAR UN CENTRE DE SERVICE AUTORISÉ. NE PAS RETIRER LE COUVERCLE DU BOÎTIER DU MOTEUR. LA GARANTIE EST ANNULÉE SI LE COUVERCLE DU BOÎTIER DU MOTEUR, LA TURBINE OU LES JOINTS D'ÉTANCHÉITÉ ONT ÉTÉ RETIRÉS. TOUTE RÉPARATION DU MOTEUR DOIT ÊTRE EFFECTUÉE PAR UN CENTRE DE SERVICE LITTLE GIANT AUTORISÉ.
6. S'assurer que le cordon d'alimentation est en bon état et ne comporte ni rupture ni fissure.





LISTE DE PIÈCES DE REMPLACEMENT

N° D'ARTICLE	N° DE PIÈCE	DESCRIPTION	N° DE CATALOGUE/ DE MODÈLE	
			511610 HT-10EN-CIM	511710 HT-10EN-CIA-FS
1	109440202	Base de tamis	•	•
2	109460	Joint d'étanchéité, base de tamis	•	•
3	909023	Vis/disque, 10-24 x 7/8 po (22,2 mm)	5	5
4	950481	Condensateur, 10MFD, 370 V	•	•
5	950482	Support de condensateur	•	•
6	928008	Anneau de joint d'étanchéité, 4,718 diam. int. x 0,078 paroi	•	•
7	901203	Vis, machine, #6-32 x ¼ po (6,35 mm)	•	•
8	909022	Vis/disque, 10-24 x 5/8 po (15,9 mm)	4	4
9	950227	Ass. d'interrupteur, sans mercure, automatique		•
10	951660	Ass. de faisceau de câbles, automatique		•
10	951661	Ass. de faisceau de câbles, manuel	•	
11	927427	Bride de boucle, noire		•
12	901424	Vis, machine, #8-32 x ½ po (12,7 mm)	•	•
13**	951798	Assemblage de fil de connexion, blanc	•	•
14**	951799	Assemblage de fil de connexion, rouge	•	•
15**	950502	Gaine isolante de condensateur	•	•
16**	950400	Connecteur à extrémité fermée		•

** Articles non illustrés

DÉPANNAGE

PROBLÈME	CAUSES PROBABLES	MESURE CORRECTIVE
La pompe ne démarre pas.	La pompe n'est pas branchée.	Brancher la pompe.
	Disjoncteur éteint ou fusible retiré.	Activer le disjoncteur ou remplacer le fusible.
	Accumulation de déchets sur le flotteur.	Nettoyer le flotteur.
	Obstruction du flotteur.	Vérifier la trajectoire du flotteur et assurer son dégagement.
	Interrupteur défectueux.	Demander que l'entretien de la pompe soit effectué par un centre de service autorisé.
	Moteur défectueux.	Demander que l'entretien de la pompe soit effectué par un centre de service autorisé.
La pompe ne s'arrête pas.	Obstruction du flotteur ou de sa tige.	Vérifier la trajectoire du flotteur et de sa tige et assurer leur dégagement.
	La pompe est bloquée par de l'air.	Couper l'alimentation pendant environ une minute, puis redémarrer. Répéter plusieurs fois pour purger l'air de la pompe.
	Le débit d'entrée de liquide atteint la capacité de la pompe.	Une pompe de plus grande taille est requise.
	Interrupteur défectueux.	Déconnecter l'interrupteur, vérifier avec un ohmmètre, résistance infinie lorsqu'ouvert, zéro lorsque fermé.
La pompe fonctionne, mais ne refoule pas de liquide.	Le clapet anti-retour est installé à l'envers.	Vérifier la flèche qui indique le débit sur le corps du clapet anti-retour, afin de s'assurer que ce clapet est installé correctement.
	Clapet anti-retour coincé ou obstrué.	Retirer le clapet anti-retour et l'inspecter pour vérifier son bon fonctionnement.
	L'élévation est trop élevée pour la pompe.	Vérifier le tableau des valeurs nominales.
	L'aspiration vers la turbine est obstruée.	Tirer la pompe et la nettoyer.
	La pompe est bloquée par de l'air.	(Voir la mesure corrective ci-dessus.)
La pompe ne fonctionne pas à sa capacité nominale.	L'élévation est trop élevée pour la pompe.	Vérifier le rendement nominal de la pompe.
	Faible tension, vitesse trop lente.	Vérifier la tension appropriée d'alimentation, pour s'assurer qu'elle correspond à la tension sur la plaque signalétique.
	Le tuyau de refoulement ou la turbine est obstrué(e).	Tirer la pompe et la nettoyer. Vérifier le tuyau pour la présence d'entartrage ou de corrosion.
	Usure de la turbine à cause d'éléments abrasifs.	Remplacer la turbine usée.
La pompe effectue continuellement des cycles.	Aucun clapet anti-retour sur un long tuyau de refoulement, ce qui permet à du liquide de retourner au bassin.	Installer un clapet anti-retour sur le conduit de refoulement.
	Fuite du clapet anti-retour.	Inspecter le clapet anti-retour pour vérifier son bon fonctionnement.
	Bassin trop petit pour le débit entrant.	Installer un bassin de plus grande taille.

GARANTIE LIMITÉE

CETTE GARANTIE ÉNONCE LES SEULES OBLIGATIONS DE L'ENTREPRISE ET LES RECOURS EXCLUSIFS DE L'ACHETEUR EN CAS DE PRODUIT DÉFECTUEUX.

Franklin Electric Company inc. et ses filiales (ci-après « l'Entreprise ») garantit que les produits accompagnés de cette garantie sont exempts de défauts quant aux matériaux ou à la main-d'œuvre par l'Entreprise qui existe au moment de la vente par l'Entreprise et qui se produisent ou qui existent pendant la période applicable de garantie. Tout distributeur, sous-distributeur, destinataire, utilisateur final ou consommateur admet qu'en acceptant la livraison des produits, le distributeur, le sous-distributeur, le destinataire, l'utilisateur final ou le consommateur accepte explicitement de se soumettre aux modalités de la garantie présentée ici.

I. Période applicable de garantie

Les produits accompagnés de cette garantie seront couverts par cette garantie limitée pour une période de 24 mois à partir de la date originale d'achat par le consommateur. À défaut d'une preuve appropriée de date d'achat, la période de garantie de ce produit commencera à partir de la date de fabrication du produit.

II. Instructions applicables à cette garantie limitée

1. Les consommateurs qui désirent soumettre une réclamation de garantie doivent retourner les produits accompagnés de cette garantie au point d'achat, pour étude de garantie.
2. Au moment de la découverte d'un défaut, toute blessure, tout dommage matériel et tout autre type de dommage qui en résulte, le cas échéant, seront mitigés de manière raisonnable et dans les limites possibles.
3. À sa discrétion, l'Entreprise peut inspecter les produits à ses installations ou sur le terrain; et après étude d'une réclamation de garantie, peut à sa discrétion réparer ou remplacer les pièces défectueuses. La livraison des pièces réparées ou remplacées sera préparée par l'Entreprise.
4. Cette politique de garantie ne couvre pas de quelconques frais de main-d'œuvre ou d'expédition. L'Entreprise ne pourra pas être tenue responsable de tout coût ou frais associé au test, à la maintenance, à l'installation, à la réparation ou au retrait d'un produit, ou à tout outil ou équipement ou à toute fourniture nécessaires pour installer, réparer ou retirer un produit.

III. Restrictions applicables à cette garantie limitée

CETTE GARANTIE NE S'APPLIQUE À AUCUN DES ÉLÉMENTS SUIVANTS :

1. Balais, turbine ou came sur les modèles avec des moteurs à balai ou des turbines à aubes flexibles.
2. Tout produit qui n'est pas installé, appliqué, entretenu et utilisé conformément aux instructions publiées par l'Entreprise, aux codes en vigueur, aux règlements applicables et aux normes généralement acceptées par l'industrie.
3. Tout produit qui a été soumis à une mauvaise utilisation ou application, à la négligence, à une altération, à un accident, à un abus, à du vandalisme, à des actes de la nature (y compris la foudre), à des actes terroristes, à des actes de guerre, au feu, à une installation ou à un entreposage inappropriés, à une utilisation inappropriée, à une maintenance ou une réparation inappropriées, à des dommages et à des accidents, ou au dépassement des maximums recommandés dans les instructions du produit.
4. Tout produit qui est utilisé avec tout accessoire, équipement ou composant ou toute pièce qui ne sont pas explicitement approuvés par l'Entreprise.
5. L'utilisation de pièces de remplacement qui ne sont pas vendues par l'Entreprise, l'ajout non autorisé de produits de tiers à d'autres produits de l'Entreprise et l'altération non autorisée de produits de l'Entreprise.
6. Produits endommagés par l'usure normale, les services de maintenance normale et les pièces utilisées avec de tels services, ou toute autre condition au-delà du contrôle de l'Entreprise.
7. Tout produit qui a été utilisé à des fins autres que celles pour lesquelles il a été conçu et fabriqué.
8. Toute utilisation du produit alors que les instructions d'installation ou d'utilisation n'ont pas été respectées.
9. Produits branchés à une tension autre que celle indiquée sur la plaque signalétique.

10. Produits où la pompe a été exposée à l'un des éléments suivants : sable, gravier, ciment, graisse, plâtre, boue, goudron, hydrocarbures, dérivés d'hydrocarbure (huile, essence, solvants, etc.) ou autres substances abrasives ou corrosives.
11. Produits dont la pompe a été utilisée pour pomper des liquides à une température supérieure à 140 °F (60 °C).
12. Produits dont la pompe a fonctionné à vide (alimentation en fluide coupée).
13. Produits dont le boîtier scellé du moteur a été ouvert, ou qui ont été démontés d'une quelconque façon par le client.
14. Produits dont le cordon a été coupé à une longueur de moins de 3 pi (91 cm).

L'Entreprise se réserve le droit en tout temps, et de temps à autre, d'apporter des modifications à la conception ou des améliorations à ses produits, sans par ce fait même s'imposer de quelconques obligations à effectuer des modifications ou améliorations correspondantes à ses produits déjà fabriqués ou vendus. L'Entreprise se réserve également le droit de substituer des pièces ou des composants de qualité similaire dans le cadre de tout service de garantie exigé par l'exécution de cette garantie limitée.

Cette garantie limitée écrite constitue la garantie complète autorisée et offerte par l'Entreprise. Il n'existe pas de garanties ou de déclarations autres que celles stipulées dans le présent document.

CETTE GARANTIE ET CES RECOURS REMPLACENT TOUTES LES AUTRES GARANTIES ET TOUS LES AUTRES RECOURS, Y COMPRIS SANS S'Y LIMITER, DES GARANTIES DE VALEUR MARCHANDE OU D'ADÉQUATION À UNE UTILISATION PARTICULIÈRE, QUI SONT PAR LA PRÉSENTE EXPLICITEMENT DÉCLINÉES ET EXCLUES. LA CORRECTION DE TOUTES LES NON-CONFORMITÉS, DE LA MANIÈRE ET POUR LA PÉRIODE DE TEMPS ÉNONCÉES CI-DESSUS, CONSTITUERA L'EXÉCUTION COMPLÈTE DE TOUTES LES OBLIGATIONS DE L'ENTREPRISE ENVERS L'ACHETEUR, QUE CELA SOIT FONDÉ SUR UN CONTRAT, LA NÉGLIGENCE OU AUTRE.

L'ENTREPRISE NE POURRA PAS ÊTRE TENUE RESPONSABLE DES DOMMAGES ACCESSOIRES, INDIRECTS OU SPÉCIAUX TELS QUE, SANS S'Y LIMITER :

UN DOMMAGE OU LA PERTE DE TOUTE AUTRE PROPRIÉTÉ OU TOUT AUTRE ÉQUIPEMENT, LA PERTE DE JOUISSANCE DE L'ÉQUIPEMENT, DES INSTALLATIONS OU DU SERVICE, LA PERTE DE PROFITS OU DE VENTES, LE COÛT D'ACHATS OU DE BIENS DE REMPLACEMENT, LES RÉCLAMATIONS DE CLIENTS DE L'ACHETEUR, LE DÉFAUT D'AVERTIR OU DE FOURNIR DES INSTRUCTIONS, LA PERTE D'AUTRES PRODUITS OU LES COÛTS D'ASSAINISSEMENT ENVIRONNEMENTAL OU LA BAISSÉ DE LA VALEUR DE LA PROPRIÉTÉ. LES RECOURS DE L'ACHETEUR ÉNONCÉS DANS LA PRÉSENTE SONT EXCLUSIFS, ET LA RESPONSABILITÉ DE L'ENTREPRISE NE POURRA PAS, SAUF MENTION EXPLICITE DANS LA PRÉSENTE, DÉPASSER LE PRIX DES PRODUITS AUXQUELS CETTE RESPONSABILITÉ S'APPLIQUE. LES DOMMAGES ÉNONCÉS DANS CE PARAGRAPHE SERONT MITIGÉS DE MANIÈRE RAISONNABLE ET DANS LES LIMITES POSSIBLES. CE PARAGRAPHE S'APPLIQUERA ÉGALEMENT À TOUS LES DOMMAGES CAUSÉS PAR DES CONDITIONS ÉNONCÉES DANS LA SECTION III CI-DESSUS ET (1) LES DÉFAUTS DANS LES PROTOTYPES DE PRODUITS OU LES PROTOTYPES DE PIÈCES DE REMPLACEMENT QUI N'ONT PAS ÉTÉ MIS EN PRODUCTION, DISTRIBUÉS ET VENDUS PAR L'ENTREPRISE OU (2) LES DÉFAUTS QUI N'ONT PAS ÉTÉ DÉCOUVERTS AU MOMENT DE LA VENTE POUR DES RAISONS SCIENTIFIQUES OU TECHNOLOGIQUES.

Cette garantie limitée vous confère des droits particuliers. Vous pourriez avoir d'autres droits, selon les lois et les règlements en vigueur. Lorsqu'une disposition de cette garantie est interdite par de telles lois, elle sera considérée nulle et non avenue, mais les autres dispositions de cette garantie demeureront pleinement applicables.

NON-RESPONSABILITÉ : Toute affirmation verbale à propos du produit effectuée par le vendeur, l'Entreprise, les représentants ou d'autres parties ne constitue pas de garanties, ne doit pas être considérée par l'utilisateur et ne fait pas partie du contrat de vente. Les seules obligations du vendeur et de l'Entreprise et les seuls recours de l'acheteur seront le remplacement ou la réparation par l'Entreprise du produit, comme décrit ci-dessus. Avant l'utilisation, l'utilisateur devra déterminer l'adéquation du produit avec l'usage auquel il est destiné; et l'utilisateur assume toutes les responsabilités et tous les risques liés à ce choix.

Pour du soutien technique, veuillez communiquer avec 800.701.7894

CustomerService@lgpc.com
www.franklinwater.com

ES INTRODUCCIÓN

Esta hoja de instrucción le proporciona la información necesaria para poseer y operar su producto con seguridad. Conserve estas instrucciones para referencia futura.

El producto que ha comprado es uno de los de mayor calidad en mano de obra y material y ha sido diseñado para proporcionarle un servicio duradero y fiable. Este producto ha sido minuciosamente inspeccionado, empacado y sometido a pruebas para asegurar una entrega y funcionamiento seguro. Examine los componentes con cuidado para asegurarse de que no se hayan dañado durante el envío. Si está dañado, póngase en contacto con el lugar donde lo compró. Ellos le ayudaran en el reemplazo o reparación, si llega a ser necesario.

LEA ESTAS INSTRUCCIONES CUIDADOSAMENTE ANTES DE INTENTAR INSTALAR, OPERAR O DAR MANTENIMIENTO A SU PRODUCTO. FAMILIARÍCESE CON LA APLICACIÓN, LÍMITES Y POSIBLES PELIGROS DEL PRODUCTO. PROTEJA A LOS DEMÁS Y A USTED MISMO AL CUMPLIR CON TODA LA INFORMACIÓN DE SEGURIDAD. ¡NO OBEDECER ESTAS INSTRUCCIONES PODRÍA RESULTAR EN LESIONES PERSONALES O DAÑOS A LA PROPIEDAD!

DESCRIPCIÓN

Esta es una bomba sumergible de efluentes para usarse en depósitos o estaciones de elevación, y es adecuada para bombear efluentes, aguas residuales, y otros líquidos no explosivos, líquidos no corrosivos con sólidos esféricos de hasta 3/4" y temperaturas de hasta 94°C (200°F).

PAUTAS DE SEGURIDAD



PRECAUCIÓN: PREVISTA SÓLO PARA USO COMERCIAL E INDUSTRIAL. LEA LAS PAUTAS DE SEGURIDAD Y LAS INSTRUCCIONES CUIDADOSAMENTE.

- No la use para bombear líquidos inflamables o explosivos como gasolina, aceite combustible, queroseno, etc. No la use en atmósferas explosivas o ubicaciones peligrosas como lo clasifica NEC, ANSI/NFPAT. La bomba sólo deberá usarse con líquidos compatibles con los materiales de los componentes de la bomba.
- No manipule la bomba con las manos mojadas o mientras está parado sobre una superficie mojada o húmeda, o sobre agua.
- No saque la bomba fuera del agua jalándola del cable de alimentación cuando la bomba esté en funcionamiento o conectada a la fuente de corriente eléctrica.
- La bomba viene equipada con un conductor para conexión a tierra y/o un accesorio para conexión a tierra tipo tapón. Para reducir el riesgo de descarga eléctrica, asegúrese de que esté conectada adecuadamente a un contenedor con conexión a tierra.
- El National Electric Code (Código Nacional de Electricidad) requiere que se instale un disyuntor diferencial (GFCI) en la derivación del circuito que alimenta al equipo de fuentes, piscinas, etc.
- En cualquier instalación que pueda representar daños a la propiedad o lesiones personales debido a una bomba ineficaz o una bomba con fugas debido a apagones, bloqueo de líneas de descarga, o cualquier otra razón, se deberá usar un sistema(s) de respaldo y/o una alarma.
- Proporcione soporte a la bomba y a la tubería al armarla y al instalarla, de no hacerlo, esto puede hacer que la tubería se rompa, que la bomba se caiga, o se presenten fallas en el rodamiento del motor, etc.
- El bastidor del motor de la bomba está lleno con aceite dieléctrico para la transferencia de calor en el motor y proporcionar una lubricación de por vida a los rodamientos. Este aceite no es tóxico para la vida acuática; sin embargo, se puede presentar asfixia si el aceite se deja sobre la superficie del agua. Si el aceite se escapa del bastidor del motor, puede eliminarse rápidamente de la superficie colocando periódicos sobre la superficie del agua para absorber el aceite.

- El motor de la bomba está equipado con un protector térmico de reinicio automático y puede reiniciar inesperadamente. El disparo del protector es un indicativo de sobrecarga del motor resultante de voltaje alto o bajo excesivo, tendido inadecuado de los cables, conexiones incorrectas del motor, o un motor o bomba defectuosa.

CONEXIONES ELÉCTRICAS



- Revise la etiqueta de la bomba para asegurarse del voltaje requerido. No la conecte a otro voltaje diferente al indicado.
- Si la bomba viene con una clavija eléctrica de 3 puntas, la tercera punta es la conexión a tierra de la bomba y previene posibles peligros por descargas eléctricas. **NO QUITE** la tercera punta de la clavija. Se recomienda una derivación del circuito por separado. No utilice una extensión eléctrica.
- Si el cable está equipado con cables revestidos de plomo, como para los modelos de 230V, asegúrese de que los cables de plomo se conecten correctamente a la fuente de corriente eléctrica. El cable verde/amarillo es la tierra, los otros dos están vivos.
- Revise los códigos para instalaciones eléctricas y edificios antes de su instalación. La instalación debe cumplir con sus normas al igual que con el código más reciente del Código Nacional de Electricidad (NEC).
- Para cumplir con el Código Nacional de Electricidad, todas las bombas deben estar alambradas con un cable de calibre 14 AWG o mayor. Para corridas de hasta 72 metros (250 pies), un cable de calibre 14 AWG es suficiente. Para corridas más largas, consulte con un electricista calificado o con la fábrica.
- La bomba debe conectarse o alambrarse a su propio circuito sin tener ninguna otra salida o equipo en la línea de circuito. Los fusibles y el disyuntor deben tener suficiente capacidad en el circuito eléctrico.
- El conjunto del conductor flexible encaquetado de PVC montado a la bomba no se debe modificar de ninguna forma, con la excepción de que se puede cortar el conductor para que quepa dentro del panel de control. Cualquier empalme entre la bomba y el panel de control debe hacerse dentro de una caja de empalme y montarse fuera del depósito y cumplir con el Código Nacional de Electricidad.

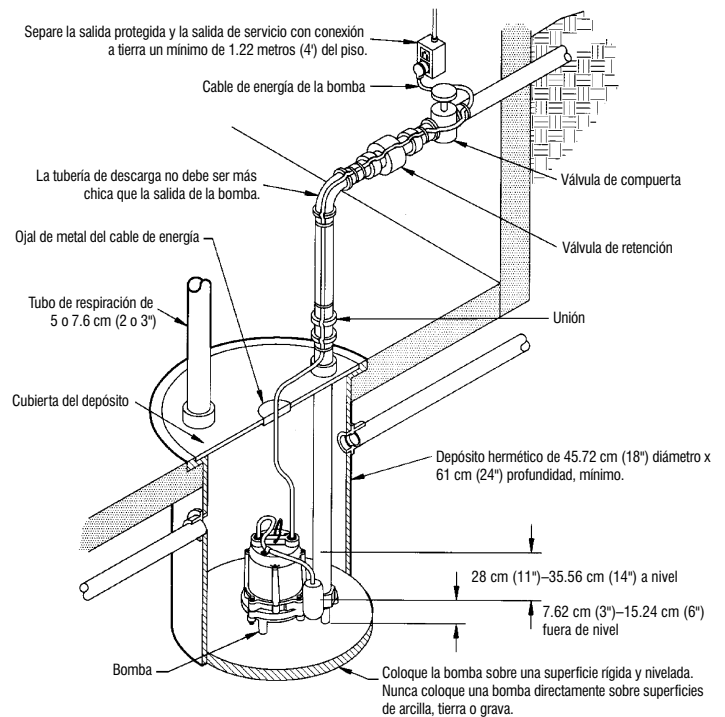


Figura 1

FUNCIONAMIENTO



1. La bomba deberá instalarse en un depósito adecuado que tenga como mínimo 45.72 cm (18") de diámetro y 60.96 cm (24") de profundidad, de acuerdo con los códigos locales para bombas.
2. Cuando una bomba esté en el depósito, etc., no toque el motor, las tuberías o el agua hasta que se desconecte la unidad. Si su instalación tiene presente agua o humedad, no toque el área húmeda hasta que se haya cortado toda la energía.
3. La bomba cuenta con una descarga hembra de 1-1/2" NPT.
4. La bomba debe colocarse sobre una superficie rígida y nivelada. Nunca coloque una bomba directamente sobre superficies de arcilla, tierra o grava.
5. Debe usar una válvula de retención en la línea de descarga para evitar el contraflujo del líquido hacia el depósito. La válvula de retención deberá ser una válvula de flujo libre que pueda pasar sólidos con facilidad.

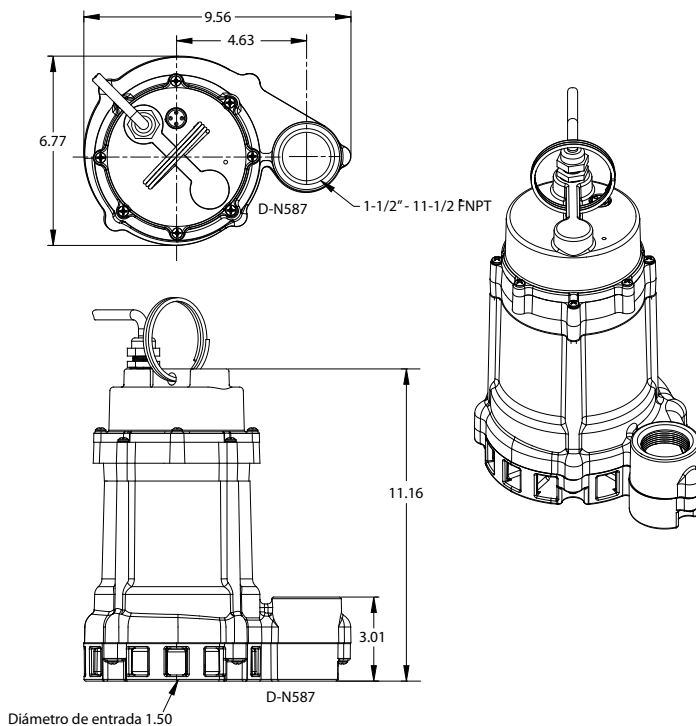
PRECAUCIÓN: Para obtener el mejor rendimiento de las válvulas de retención cuando maneje sólidos, instélaslas en una posición vertical o a un ángulo no mayor a los 45 grados. No instale la válvula de retención en posición vertical ya que los sólidos se pueden acumular en la válvula y evitar que se abra durante el arranque.

Cuando se usa la válvula de retención, taladre un orificio de 3/16" en la tubería de descarga, a aproximadamente 1 a 2" arriba de la descarga de la bomba y debajo de la válvula de retención para evitar que el aire bloquee la bomba.

6. No trate de restringir el lado de la toma de estas bombas. Al restringir la toma puede ocasionar daños al sello y esto puede restringir la bomba. Si usted requiere reducir la velocidad de flujo, entonces coloque una válvula en el lado de descarga de la bomba; si usa tubería flexible de vinilo, puede usar una abrazadera en la tubería para restringir el flujo.
7. No deje que la unidad funcione en seco. Está diseñada para enfriarse por el fluido de bombeo. Usted puede dañar el sello y el motor puede fallar si se permite que la bomba corra en seco.
8. Si la unidad va a estar inactiva por cierto tiempo, siga las instrucciones de limpieza descritas en la siguiente sección. No deje que la unidad se congele durante el invierno. Esto puede ocasionar grietas o deformación que puede destruir a la unidad.

PRUEBA DE FUNCIONAMIENTO DE LA BOMBA

NOTA: ASEGÚRESE DE QUE LA BOMBA ESTÉ FIJA EN EL DEPÓSITO Y QUE EL FLOTADOR SE MUEVE SIN OBSTRUCCIÓN SIN TOCAR LAS PAREDES DEL DEPÓSITO O LA TUBERÍA.



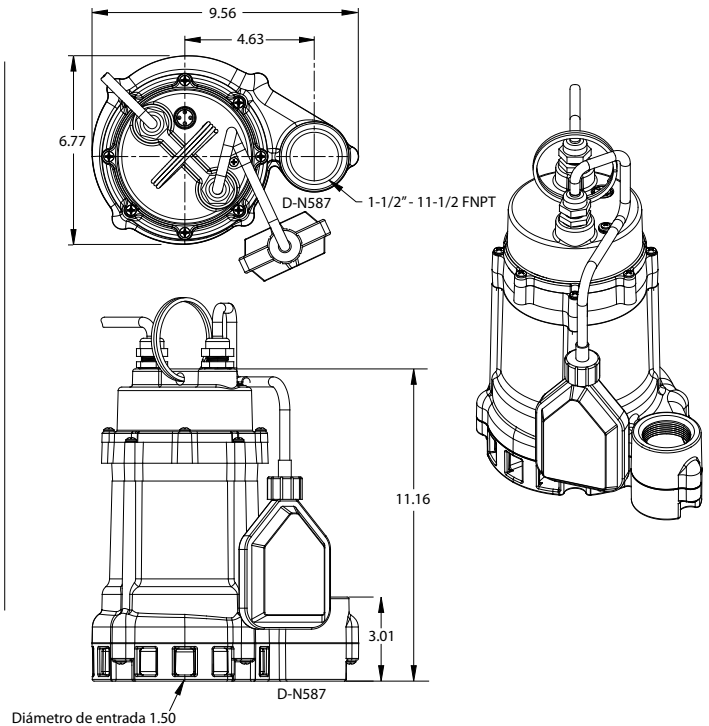
1. Estas bombas están equipadas con un interruptor operado por el flotador. Cuando las bombas se instalan en el depósito con una cubierta sellada, no se puede observar el funcionamiento del interruptor. La cubierta del resumidero generalmente tendrá un orificio de reserva que está tapado con un tapón de goma. Puede quitar este tapón y puede observar el funcionamiento del interruptor.
2. Conecte el cable de alimentación a un receptáculo con conexión a tierra con voltaje consistente al voltaje de la bomba como se indica en la placa de identificación de la bomba.
3. Permita que el agua corra dentro del depósito hasta que arranque la bomba.
4. Asegúrese de que la válvula de compuerta en la línea de descarga esté abierta.
5. Permita que la bomba opere a través de varios ciclos de encendido y apagado.
6. Si la bomba no funciona adecuadamente, consulte la tabla de Solución de problemas. Si no puede encontrar el problema con los pasos mostrados, consulte con el distribuidor de su bomba o lleve la bomba a un centro autorizado de servicio Little Giant.

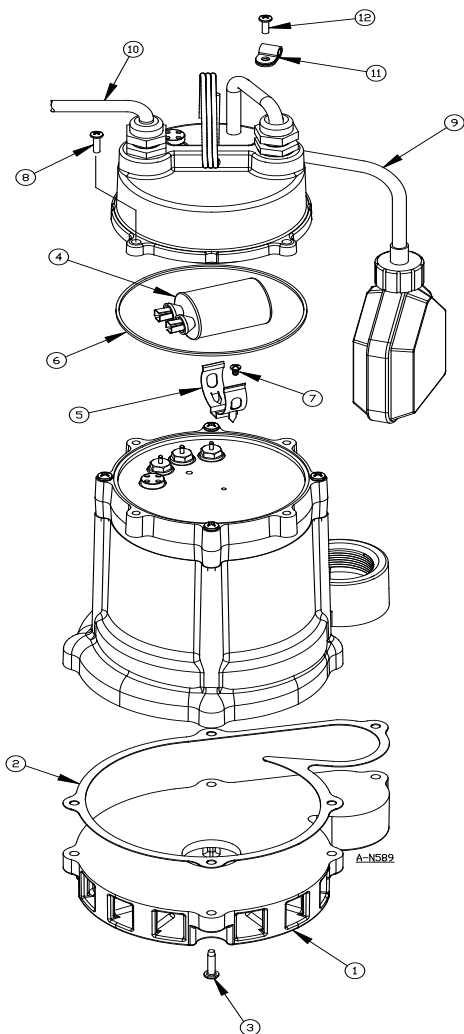
MANTENIMIENTO



ADVERTENCIA: ¡DESCONECTE LA BOMBA DE LA FUENTE DE CORRIENTE ELÉCTRICA ANTES DE TRATAR DE DARLE MANTENIMIENTO O QUITAR CUALQUIER COMPONENTE!

1. Esta unidad está lubricada permanentemente. No es necesario aceitarla. Bajo ninguna circunstancia abra la parte sellada de la unidad o retire los tornillos del bastidor.
2. La limpieza periódica de las piezas de la bomba prolongará la VIDA y EFICIENCIA de la bomba.
3. Retire los tornillos que sujetan la base a la voluta y limpie el pasaje del impulsor y la voluta. No use solventes fuertes sobre el impulsor.
4. Asegúrese de que el impulsor gira libremente después de la limpieza.
5. **PRECAUCIÓN:** NO quite el impulsor. Esto requiere herramientas especiales y necesita hacerlo un centro de servicio autorizado. No quite la cubierta del bastidor del motor. La garantía se anula si se ha quitado la cubierta del bastidor del motor, el impulsor o los sellos. Cualquier reparación del motor deberá hacerla un centro de servicio autorizado Little Giant.
6. Asegúrese de que el cable de energía esté en buena condición y que no tenga muescas o cortes.





LISTA DE PIEZAS DE REPUESTO

NO. ELEMENTO	NO. PIEZA	DESCRIPCIÓN	Nº. CATÁLOGO/ Nº. MODELO	
			511610 HT-10EN-CIM	511710 HT-10EN-CIA-FS
1	109440202	Base de la pantalla	•	•
2	109460	Empaque, base de la pantalla	•	•
3	909023	Tornillo/arandela, 10-24 x 7/8"	5	5
4	950481	Condensador, 10MFD, 370V	•	•
5	950482	Brida para el condensador	•	•
6	928008	Anillo de sello, DI 4.718 x pared 0.078	•	•
7	901203	Tornillo, máquina, #6-32 x 1/4"	•	•
8	909022	Tornillo/arandela, 10-24 x 5/8"	4	4
9	950227	Conjunto interruptor, sin mercurio, automático		•
10	951660	Conjunto arnés de cable, automático		•
10	951661	Conjunto arnés de cable, manual	•	
11	927427	Abrazadera de bucle, negro		•
12	901424	Tornillo, máquina, #8-32 x 1/2"	•	•
13**	951798	Conjunto cables de plomo, blanco	•	•
14**	951799	Conjunto cables de plomo, rojo	•	•
15**	950502	Funda aislante del condensador	•	•
16**	950400	Conector de extremo cerrado		•

** Elementos no mostrados

SOLUCIÓN DE PROBLEMAS

PROBLEMA	CAUSAS PROBABLES	ACCIÓN CORRECTIVA
La bomba no enciende.	La bomba no está conectada.	Conectar la bomba.
	Disyuntor apagado o se quitó el fusible.	Encienda el disyuntor o reemplace el fusible.
	Acumulación de basura en el flotador.	Limpie el flotador.
	Obstrucción del flotador.	Revise la ruta del flotador y despéjela.
	Interruptor defectuoso.	Dé mantenimiento a la bomba en un centro de servicio autorizado.
	Motor defectuoso.	Dé mantenimiento a la bomba en un centro de servicio autorizado.
La bomba no se apaga.	Obstrucción del flotador o de la barra del flotador.	Revise la ruta del flotador y la barra del flotador y despéjela.
	Bomba bloqueada por aire.	Apague la alimentación eléctrica por aproximadamente 1 minuto, luego vuelva a arrancarla. Repita varias veces para eliminar el aire de la bomba.
	El líquido del caudal afluente es igual a la capacidad de la bomba.	Se requiere una bomba más grande.
La bomba funciona pero no descarga el líquido.	Interruptor defectuoso.	Desconecte el interruptor, inspecciónelo con el ohmímetro, abierto-resistencia infinita; cerrado-cero.
	La válvula de retención se instaló al revés.	Inspeccione la flecha que indica el flujo sobre el cuerpo de la válvula de retención para asegurarse de que se instaló correctamente.
	Válvula de retención atorada o tapada.	Quite la válvula de retención e inspecciónela para asegurar un funcionamiento adecuado.
	Altura de aspiración muy alta para la bomba.	Inspeccione la tabla de clasificación.
	Entrada al impulsor tapada.	Saque la bomba y límpiela.
La bomba no produce la capacidad clasificada.	Bomba bloqueada por aire.	(Ver acción correctiva de arriba).
	Altura de aspiración muy alta para la bomba.	Revise la clasificación de rendimiento de la bomba.
	Bajo voltaje, velocidad muy baja.	Revise para asegurarse de que el voltaje de suministro es el que corresponde al voltaje de la placa de identificación.
	El impulsor o el tubo de descarga está tapado.	Saque la bomba y límpiela. Revise la tubería para ver si tiene incrustaciones o corrosión.
	Desgaste del impulsor debido a sustancias abrasivas.	Reemplace el impulsor desgastado.
La bomba se cicla continuamente.	No se cuenta con una válvula de retención en la tubería larga de descarga, esto ocasiona que el líquido se drene de regreso hacia el depósito.	Instale una válvula de retención en la línea de descarga.
	Fugas en la válvula de retención.	Inspeccione la válvula de retención para corregir el funcionamiento.
	Depósito muy pequeño para el caudal afluente.	Instale un depósito más grande.

GARANTÍA LIMITADA

ESTA GARANTÍA ESTABLECE LA ÚNICA OBLIGACIÓN DE LA EMPRESA Y LA COMPENSACIÓN EXCLUSIVA DEL COMPRADOR A UN PRODUCTO DEFECTUOSO.

Franklin Electric Company, Inc. y sus filiales (en lo sucesivo "La Empresa") garantizan que los productos que acompañan esta garantía están libres de defectos en materiales o mano de obra de la Empresa, que existan al momento de la venta por la Empresa, y que podrían ocurrir o existir dentro del periodo correspondiente. Cualquier distribuidor, subdistribuidor, destinatario, usuario final y/o consumidor está de acuerdo en que al acusar recibo de los productos, el distribuidor, subdistribuidor, destinatario, usuario final y/o consumidor acuerdan explícitamente a estar vinculados por los términos de la garantía establecidos en la presente.

I. Periodo aplicable a la garantía

Los productos que acompañan esta garantía deberán estar cubiertos por esta Garantía Limitada por un periodo de 24 meses a partir de la fecha original de compra por parte del consumidor. A falta de un comprobante adecuado con la fecha de compra, el periodo de garantía de este producto empezará a contar a partir de la fecha de fabricación del producto.

II. Instrucciones aplicables a esta Garantía Limitada

1. Los consumidores que deseen enviar un reclamo de garantía deben regresar los productos acompañados por su garantía al punto de compra para consideración de la garantía.
2. Al descubrirse un defecto, cualquier lesión personal, daños a la propiedad o cualquier otro tipo de daño resultante, si corresponde, deberá ser atenuado razonablemente hasta el grado posible.
3. A discreción de la Empresa, la Empresa puede inspeccionar los productos en sus instalaciones o en el campo, y después de la determinación de un reclamo de garantía, a su propia opción, reemplazará o reparará las piezas defectuosas. Las piezas reparadas o reemplazadas se regresarán por envío prepago por la Empresa.
4. Esta política de garantía no cubre costos por mano de obra o flete. La Empresa no deberá ser responsable por cualquier costo o cobro atribuido a cualquier prueba, mantenimiento, instalación, reparación o eliminación del producto, ni tampoco por herramientas, suministros o equipo necesario para instalar, reparar o quitar cualquier producto.

III. Limitaciones aplicables a esta Garantía Limitada

ESTA GARANTÍA NO SE APLICA A CUALQUIERA DE LO SIGUIENTE:

1. Escobillas, impulsor o leva en modelos con motores tipo escobilla y/o impulsores de aleta flexible.
2. Cualquier producto que no se instaló, aplicó, dio mantenimiento y usó de acuerdo con las instrucciones publicadas de la Empresa, los códigos correspondientes, las ordenanzas correspondientes y/o las normas generalmente aceptadas en la industria.
3. Cualquier producto que se ha sometido al mal uso, mal aplicación, negligencia, alteración, accidente, abuso, adulteración, fuerza mayor (incluyendo relámpagos), actos de terrorismo, actos de guerra, incendios, almacenamiento o instalación inadecuada, uso inadecuado, mantenimiento o reparación inadecuada, daños o víctimas, o al someterse a un exceso de los máximos recomendados establecidos en las instrucciones del producto.
4. Cualquier producto que se ponga en funcionamiento con cualquier accesorio, equipo, componentes o pieza que no se aprobó específicamente por la Empresa.
5. El uso de piezas de repuesto no vendidas por la Empresa, agregar sin autorización productos que no son de la Empresa a otros productos de la Empresa, y la alteración no autorizada de productos de la Empresa.
6. Los productos dañados por el uso y desgaste normal, servicios normales de mantenimiento y las piezas usadas en relación con dicho servicio, o cualquier otra condición más allá del control de la Empresa.
7. Cualquier producto que haya sido utilizado para propósitos diferentes para los cuales fue diseñado y fabricado.
8. Cualquier uso del producto en donde no se siguieron las instrucciones de instalación y/o uso.

9. Productos conectados al voltaje diferentes a los indicado en la placa de identificación.
10. Productos en donde la bomba estuvo expuesta a cualquiera de lo siguiente: arena, grava, cemento, grasa, yeso, lodo, alquitrán, hidrocarburos, derivados de hidrocarburos (aceite, gasolina, solventes, etc.) u otra sustancia corrosiva o abrasiva.
11. Producto en donde la bomba se usó para bombear líquidos de más de 60°C (140°F).
12. Productos en donde se permitió que la bomba operara en seco (sin el suministro de fluido).
13. Productos en donde el bastidor sellado del motor se abrió o el producto se desmanteló de otra forma por el cliente.
14. Productos en donde se ha cortado el cable a una longitud menor de tres pies.

La Empresa se reserva el derecho en todo momento, y de vez en cuando, a hacer cambios al diseño y las mejoras en sus productos, sin imponer con esto cualquier obligación ante ellos por dichos cambios o mejoras en o sus productos ya fabricados o vendidos previamente. La Empresa se reserva además el derecho a sustituir piezas o componentes de calidad sustancialmente equitativa en cualquier servicio de garantía requerido debido al funcionamiento de esta Garantía Limitada.

Esta Garantía Limitada escrita es la garantía autorizada entera y ofrecida por la Empresa. No existen otras garantías o representaciones más allá que aquellas expresada en este documento.

ESTA GARANTÍA Y COMPENSACIÓN ES EN REEMPLAZO DE TODAS LAS OTRAS GARANTÍAS Y RECURSOS INCLUYENDO A CARÁCTER ENUNCIATIVO Y NO LIMITATIVO, GARANTÍAS DE COMERCIABILIDAD Y/O IDONEIDAD PARA UN PROPÓSITO EN PARTICULAR, LOS CUALES SE DESLINDAN DE RESPONSABILIDAD Y SE EXCLUYEN ESPECÍFICAMENTE EN LA PRESENTE. LA CORRECCIÓN DE INCONFORMIDADES, DE ESTA FORMA Y POR EL PERIODO DE TIEMPO ESTABLECIDO ARRIBA, DEBERÁN CONSTITUIR EL CUMPLIMIENTO DE TODA LA RESPONSABILIDAD DE LA EMPRESA HACIA EL COMPRADOR YA SEA QUE SE DEBA AL CONTRATO, NEGLIGENCIA O DE OTRA FORMA.

LA EMPRESA NO DEBERÁ SER RESPONSABLE POR DAÑOS Y PERJUICIOS INCIDENTALES, CONSECUENCIALES O DE CARÁCTER EJEMPLAR COMO, PERO SIN LIMITARSE A:

DAÑOS O PÉRDIDA DE OTRA PROPIEDAD O EQUIPO; PÉRDIDA DE USO DEL EQUIPO, INSTALACIONES O SERVICIO; PÉRDIDA DE UTILIDADES O VENTAS; COSTO DE COMPRAS O REEMPLAZO DE BIENES; RECLAMOS ANTE EL COMPRADOR POR PARTE DE CLIENTES; FALTA DE PROPORCIONAR ADVERTENCIAS Y/O INSTRUCCIONES; PÉRDIDA DE OTROS PRODUCTOS O COSTOS POR DESCONTAMINACIÓN AMBIENTAL, O DISMINUCIÓN EN EL VALOR DE LA PROPIEDAD. LAS COMPENSACIONES HACIA EL COMPRADOR ESTABLECIDAS EN EL PRESENTE SON EXCLUSIVAS, Y LA RESPONSABILIDAD DE LA EMPRESA NO DEBERÁ, EXCEPTO CON LO INDICADO AQUÍ, SOBREPASAR EL PRECIO DE LOS PRODUCTOS SOBRE LOS CUALES SE BASA DICHA RESPONSABILIDAD. LOS DAÑOS Y PERJUICIOS ESTABLECIDOS EN ESTE PÁRRAFO DEBERÁN ATENUARSE RAZONABLEMENTE HASTA EL GRADO POSIBLE. ESTE PÁRRAFO TAMBIÉN SE APLICA A TODOS LOS DAÑOS Y PERJUICIOS RESULTANTES DE LAS CONDICIONES ESTABLECIDAS EN LA SECCIÓN III DE ARRIBA Y (1) DEFECTOS EN LOS PROTOTIPOS DE PRODUCTOS O PROTOTIPOS DE PIEZAS DE REEMPLAZO QUE TODAVÍA NO ENTRAN AL PROCESO DE PRODUCCIÓN, TODAVÍA NO SE HAN PUESTO EN CIRCULACIÓN O VENDIDOS POR LA EMPRESA, Y/O (2) DEFECTOS QUE NO SE ENCONTRARON AL MOMENTO DE VENTA DEBIDO A RAZONES CIENTÍFICAS O TECNOLÓGICAS.

Esta Garantía Limitada le otorga derechos legales específicos. Usted puede contar con otros derechos, los cuales pueden variar dependiendo de las leyes y normas correspondientes. Cuando cualquier parte de esta garantía esté prohibida por dichas leyes, ésta será nula y se anulará, pero el resto de esta garantía seguirá con plena vigencia.

DESCARGO DE RESPONSABILIDADES Cualquier declaración oral sobre el producto realizada por el vendedor, la Empresa, los representantes o cualquier otra parte, no constituye garantías. El usuario no debe depender de ellas, y no forman parte de este contrato de venta. La única obligación del vendedor y la Empresa, y la única compensación para el comprador, deberá ser el reemplazo y/o reparación por parte de la Empresa del producto descrito anteriormente. Antes de su uso, el usuario deberá determinar la idoneidad del producto para su uso previsto, el usuario asume todos los riesgos y responsabilidad, en absoluto, en conexión con eso.

Para asistencia técnica, llame al 800.701.7894

CustomerService@lgpc.com
www.franklinwater.com